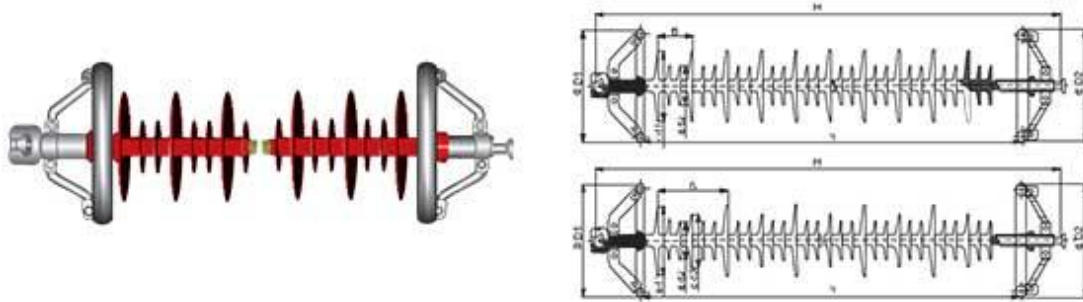


500kV 棒形悬式复合绝缘子 500kV Composite Long Rod Suspension Type Insulator



500kV 棒形悬式复合绝缘子示意图
500kV Composite Long Rod Suspension Type Insulator Schematic Diagram

500kV 棒形悬式复合绝缘子主要尺寸与特性

Main Dimensions and Characteristics of 500kV Composite Long Rod Suspension Type Insulator

Serial Number 序号	Type of Insulator 绝缘子型号	Specified Voltage 额定电压	Specified Mechanical Tensile Load 额定机械拉伸负荷	Connection Structure Mark 机械连接标记	Section Length 绝缘长度	Max. Arcing Distance 最大电弧距离	Big shed Diameter 大伞直径	Diameter of Grading Ring 伞裙内直径	Diameter of Grading Ring 伞裙外直径	Min nominal Creepage distance 最小公称爬电距离	Lightning impulse Withstand Voltage (Peak value) 雷电冲击耐受电压(峰值)	Operating impulse Withstand Voltage (Peak) 操作冲击耐受电压(峰值)	Power Frequency Withstand Voltage Min. Vol(RMS) 工频(不含耐受电压曲线)有效值	Reference Weight 参考重量
		kV	kN		H mm	h mm	d1 mm	D1 mm	D2 mm	L mm	≥ kV	≥ kV	≥ kV	kg
1	FXBW-500/(120/100)	500	120/100	16	4450±50	4000	171	350/370/400	370/400	14400	2250	1240	740	30
2	FXBW-500/(240/210/180/160)	500	240/210/180/160	20	4450±50	4000	174	350/370/400	370/400	14300	2250	1240	740	31
3	FXBW-500/300	500	300	24	4450±50	4000	174	350/370/400	370/400	14000	2250	1240	740	32
4	FXBW-500/(420/400)	500	420/400	28	4450±50	4000	180	350/370/400	370/400	14000	2250	1240	740	33
5	FXBW-500/(550/530)	500	550/530	32	4450±50	4000	218	350/370/400	370/400	14000	2250	1240	740	34

说明：产品的尺寸、特性、连接方式和伞裙颜色等可按照客户具体要求设计、生产

Note: Product's dimension, characteristics, connecting type, shed color, etc can be designed and manufactured in accordance with customer's requirements.